

52042-3 ✓ ACTIVE

PLASTI-GRIP

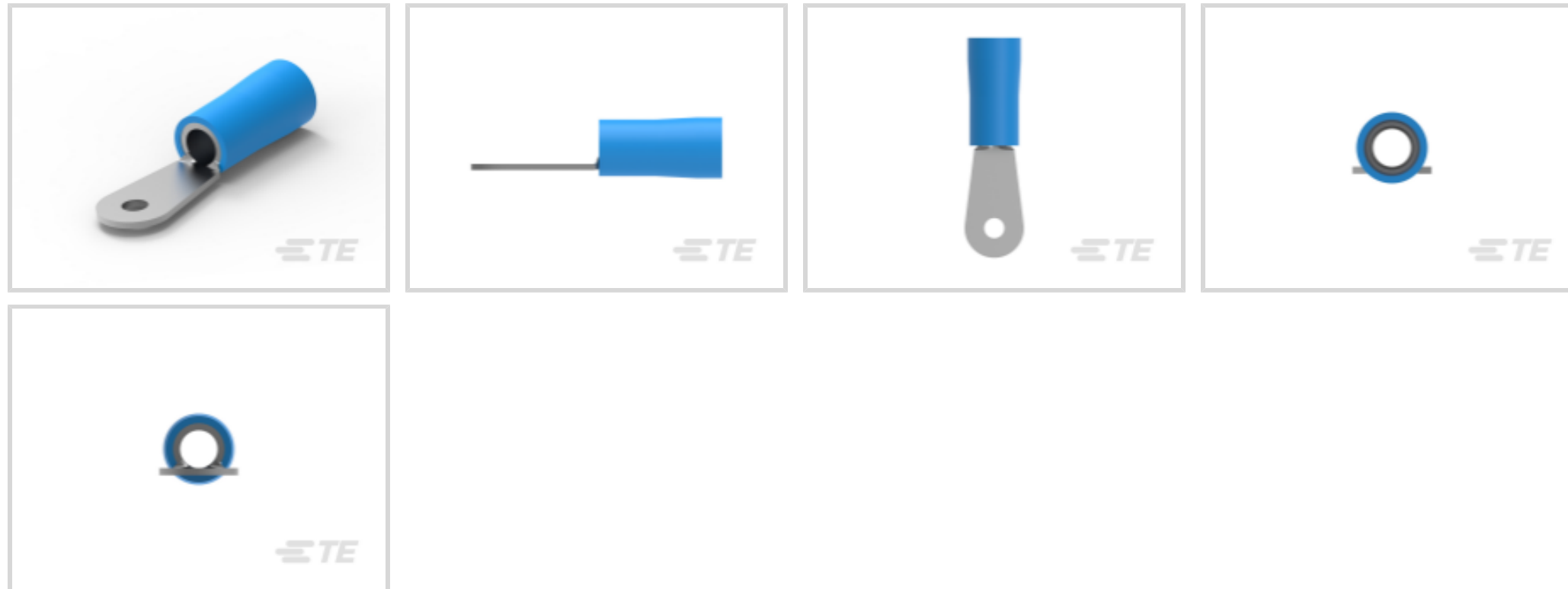
TE Internal #: 52042-3

Ring Terminals & Spade Terminals, Ring Tongue, 6 AWG Wire Size,  
13 – 15 mm<sup>2</sup> Wire Size, 20800 – 33100 CMA Wire Size, Stud Size 1/4  
/ M6, PLASTI-GRIP

[View on TE.com >](#)



Terminals & Splices > Ring Terminals & Spade Terminals



Ring & Spade Terminal Type: **Ring Tongue**

Wire Size: **20800 – 33100 CMA**

Stud Size: **1/4, M6**

**Features**

**Product Type Features**

Shape Description	RING-044
Stud Size	1/4, M6
Sealable	No
Wire Insulation Support Retention Type	Insulation Support

**Configuration Features**

Number of Holes	1
Terminal Angle	180 °

**Electrical Characteristics**

Voltage (Max)	600 V
---------------	-------

**Body Features**

Inspection Slot	No
Insulation Sleeve Color	Blue
Stripe Color	Blue

**Contact Features**

Ring & Spade Terminal Type	Ring Tongue
----------------------------	-------------



Barrel Type	Closed
-------------	--------

Terminal Orientation	Offset
----------------------	--------

Terminal Plating Material	Tin
---------------------------	-----

### Mechanical Attachment

Wire Insulation Support	With
-------------------------	------

### Dimensions

Wire Size	20800 – 33100 CMA
-----------	-------------------

Stud Diameter	6.73 mm[.265 in]
---------------	------------------

Tongue Thickness	.79 mm[.031 in]
------------------	-----------------

Overall Product Length	47.47 mm[1.869 in]
------------------------	--------------------

Accepts Wire Insulation Diameter (Max)	9.14 mm[.36 in]
--	-----------------

Accepts Wire Insulation Diameter Range	9.14 mm[.36 in]
--	-----------------

### Usage Conditions

Insulation Option	Partially Insulated
-------------------	---------------------

Operating Temperature Range	105 °C[221 °F]
-----------------------------	----------------

### Operation/Application

Compatible With Wire Base Material	Copper
------------------------------------	--------

Compatible With Wire Plating Material	Tin
---------------------------------------	-----

Heavy Duty	No
------------	----

### Industry Standards

Government Qualified	No
----------------------	----

### Packaging Features

Packaging Quantity	100
--------------------	-----

Packaging Method	Loose Piece
------------------	-------------

### Product Compliance

[For compliance documentation, visit the product page on TE.com>](#)

EU RoHS Directive 2011/65/EU	Compliant
------------------------------	-----------

EU ELV Directive 2000/53/EC	Compliant
-----------------------------	-----------

China RoHS 2 Directive MIIT Order No 32, 2016	No Restricted Materials Above Threshold
---	---

EU REACH Regulation (EC) No. 1907/2006	Current ECHA Candidate List: JUNE 2022 (224)
--	--



Candidate List Declared Against: JUL 2021  
(219)

Does not contain REACH SVHC

Halogen Content

Not Low Halogen - contains Br or Cl > 900 ppm.

Solder Process Capability

Not applicable for solder process capability

Product Compliance Disclaimer

This information is provided based on reasonable inquiry of our suppliers and represents our current actual knowledge based on the information they provided. This information is subject to change. The part numbers that TE has identified as EU RoHS compliant have a maximum concentration of 0.1% by weight in homogenous materials for lead, hexavalent chromium, mercury, PBB, PBDE, DBP, BBP, DEHP, DIBP, and 0.01% for cadmium, or qualify for an exemption to these limits as defined in the Annexes of Directive 2011/65/EU (RoHS2). Finished electrical and electronic equipment products will be CE marked as required by Directive 2011/65/EU. Components may not be CE marked. Additionally, the part numbers that TE has identified as EU ELV compliant have a maximum concentration of 0.1% by weight in homogenous materials for lead, hexavalent chromium, and mercury, and 0.01% for cadmium, or qualify for an exemption to these limits as defined in the Annexes of Directive 2000/53/EC (ELV). Regarding the REACH Regulation, the information TE provides on SVHC in articles for this part number is based on the latest European Chemicals Agency (ECHA) 'Guidance on requirements for substances in articles' posted at this URL: <https://echa.europa.eu/guidance-documents/guidance-on-reach>

## Compatible Parts




TE Part # 52042  
TERMINAL,R PG 6 8



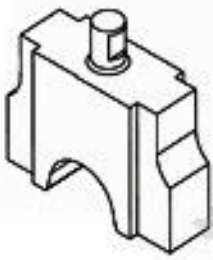
TE Part # 47821  
HYP8 TERMINYL 6AWG DIE SET



TE Part # 1490535-1  
HYP10 PLASTI-GRIP 6AWG DIE SET



TE Part # 1490598-1  
HYP10 TERMINYL 6AWG DIE SET



TE Part # 1901007-1  
ASSEMBLY, TERMINYL DIE #6



TE Part # 48753-1  
HYP8 PLASTI-GRIP 6AWG 69051 DIE SET



TE Part # 48859-1  
HYP8/10 PLASTI-GRIP/10 6AWG DIE SET



TE Part # 601129-2  
HAND TOOL (A.S.I.)

Also in the Series | **PLASTI-GRIP**



Compression Connectors(3)



Crimp Wire Pins, Tabs &amp; Ferrules(25)



Ring Terminals &amp; Spade Terminals(537)



Splices(49)

## Documents

### Product Drawings

[TERMINAL,R PG 6 1/4](#)

English

### CAD Files

[3D PDF](#)

3D

Customer View Model

[ENG\\_CVM\\_CVM\\_52042-3\\_AD.2d\\_dxf.zip](#)

English

Customer View Model

[ENG\\_CVM\\_CVM\\_52042-3\\_AD.3d\\_igs.zip](#)

English

Customer View Model

[ENG\\_CVM\\_CVM\\_52042-3\\_AD.3d\\_stp.zip](#)

English

By downloading the CAD file I accept and agree to the [Terms and Conditions](#) of use.

### Product Specifications

[Application Specification](#)

English

### Product Environmental Compliance

[MD\\_52042-3\\_05092017611\\_dmtec](#)

English

[MD\\_52042-3\\_05092017611\\_dmtec](#)

English

### Instruction Sheets

[Instruction Sheet \(U.S.\)](#)

English

### Agency Approvals

[UL Report](#)

English

[UL Report](#)



English